



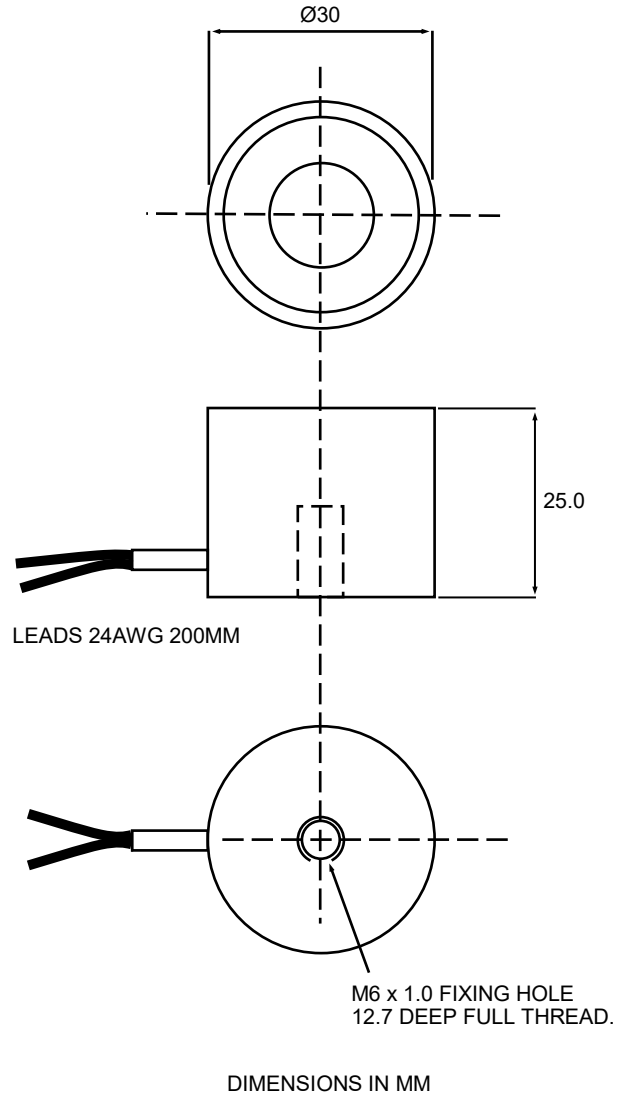
**BEM3
ELECTROMAGNET
Holding Power ON**

This magnet exerts a holding force of approximately **12 Kgf** perpendicular to any steel plate (see accessories) with which it is in contact, assuming nominal voltage, and coil at working temperature rise of 60°C in an ambient of 20°C.

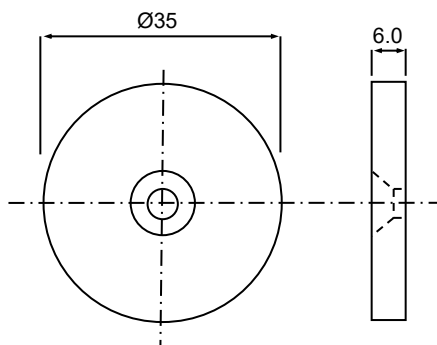
- Voltage range **6 - 240 VDC**
- Power consumption - **2.5 Watts**
- Minimum steel plate thickness - **4mm**
- (Note that a magnet has little resistance to a sliding force)
- Temperature Class B (130°C)
- Supply - **DC or full-wave rectified AC**
- Protection rating - **IP40**
- Finish - **Zinc Passivate**
- Weight - **100g**

The low wattage and temperature rise give maximum reliability and minimum power consumption on the remote control latches, shutters, fire doors etc. to which this magnet is frequently applied.

Ordering Code
 BEM3 / 01 / 12V / 2.5W
 BEM3 / 02 / 24V / 2.5W



Accessory Option
Catch Plate 2744



Fix with M5 countersink screw, (not supplied).

We reserve the right to alter or amend designs without prior notice.

HE & BS Benson Ltd

1 Laureate Industrial Estate, Exning Road, Newmarket, Suffolk UK CB8 0AR

BEM3 Rev 6 - 2019